

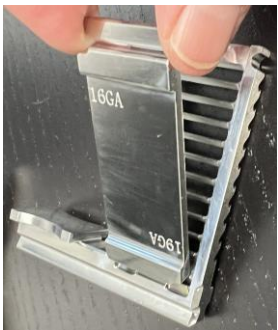
# Quick Reference Guide for EV29L Reusable Transperineal Needle Guide

## 1. Reprocessing Before First and Every use

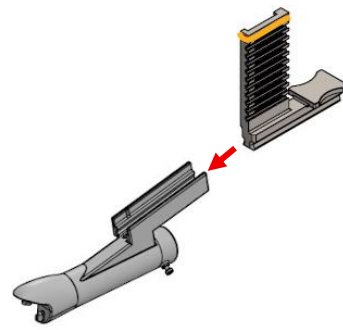
- A. Separate all parts, and discard Kraton bands
- B. Cleaning Cidezyme, 5 minutes
  - Use an appropriate brush for needle guide parts
  - Flush all parts including grooves, the rail and channels with cleaner
- C. Sterilization
  - Sterilization: Class B autoclave
    - 134°C (273°F) for 3 min, dry time 45 min
    - 132°C (270°F) for 4 min, dry time 45 min
  - Alternately (if autoclave is not available) High-Level Disinfection: Cidex OPA, 12 minutes
    - Flush all grooves, the rail and channels with disinfectant
    - During disinfection, use a soft cloth to wipe the surface of the guide to remove any bubbles
- D. Inspection after reprocessing (no visible cracks, discoloration or damage)

## 2. Assembly

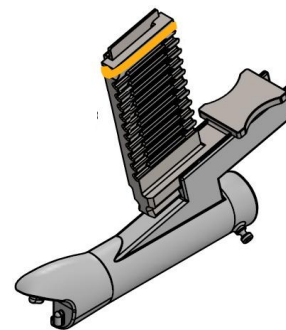
- A. Select the correct Gauge Plate for the procedure and place it in the Needle Guide Tower.
- B. Secure the Gauge Plate to the Needle Guide Tower using the Kraton band provided.
- C. Insert the Needle Guide Tower/Gauge Plate into the rail in the Needle Guide Plug.
- D. Prepare the EV29L transducer with a sheath. Attach the assembled needle guide to the needle guide channel of the EV29L so that it clicks into position. Optional: Wrap a Kraton band around the transducer and secure it to the peg on the side of the Needle Guide Plug.



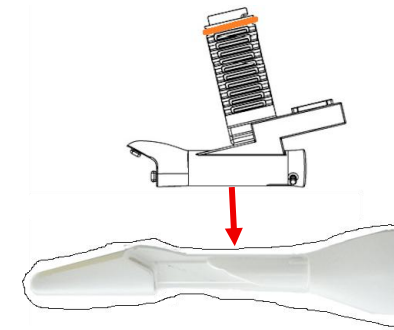
2A



2B-2C



2C



2D

### 3. Working Lifetime

When used with proper care, the EV29L Reusable Transperineal Needle Guide is designed for a working lifetime of whichever occurs first of 2 years or 1000 reprocessing cycles.

#### Refer to the following Manuals for Detailed Instructions:

Action	Manual	Section of Manual
<b>Reprocessing</b> (before first and every use)	Care, Cleaning and Use Guide for EV29L	Chapter 4: Reprocessing Section 3.2, 3.3 and 3.5: Reprocessing Reusable Needle Guides and Accessories*  * The Cleaning, Sterilizing and Inspection instructions are also applicable to the EV29L Reusable Transperineal Needle Guide, with dry time 45 min after sterilization.
<b>Attaching the assembled needle guide to the EV29L Transducer</b>	Care, Cleaning and Use Guide for EV29L	Chapter 3: Preparing for Imaging Section 2.1.2: Attaching the EV29L Sterile Transperineal Needle Guide*  * These instructions are also applicable to the EV29L Reusable Transperineal Needle Guide.
<b>Software Adjustments</b>	ExactVu Operation and Safety Manual	Chapter 5: Using 2D Mode Section 3.3.1: Using the Transperineal Guide Needle Guide Overlay *  * These instructions are also applicable to the EV29L Reusable Transperineal Needle Guide.

If you require **technical assistance** with your ExactVu™ micro-ultrasound system or with the EV29L Reusable Transperineal Needle Guide, contact Exact Imaging Technical Support. Refer to <https://www.exactimaging.com/contact-us> to find the contact information for your region.



**Exact Imaging Inc.**  
7676 Woodbine Avenue, Unit 15  
Markham, ON L3R 2N2, Canada  
+1.905.415.0030  
[info@exactimaging.com](mailto:info@exactimaging.com)



**Emergo Europe**  
Westervoortsedijk 60  
6827 AT Arnhem  
The Netherlands



**MedEnvoy Switzerland**  
Gotthardstrasse 28  
6302 Zug  
Switzerland

UK Responsible Person  
**Emergo Consulting (UK) Limited c/o Cr360 – UL International**  
Compass House, Vision Park Histon  
Cambridge CB24 9BZ United Kingdom



**Exact Imaging BVBA**  
Ottergemsesteenweg-Zuid 808 / b508  
9000 Gent  
Belgium

#### Exact Imaging Catalog Numbers

- EV-29L: EV29L Transducer
- EV-TPRG: EV29L Non-Sterile Reusable Transperineal Needle Guide
- EV-SYS-220: ExactVu™ Micro-Ultrasound Imaging System (220V)
- EV-SYS-120: ExactVu™ Micro-Ultrasound Imaging System (120V)
- EV-SYS-100: ExactVu™ Micro-Ultrasound Imaging System (100V)